

# GVI Monitor Mounts

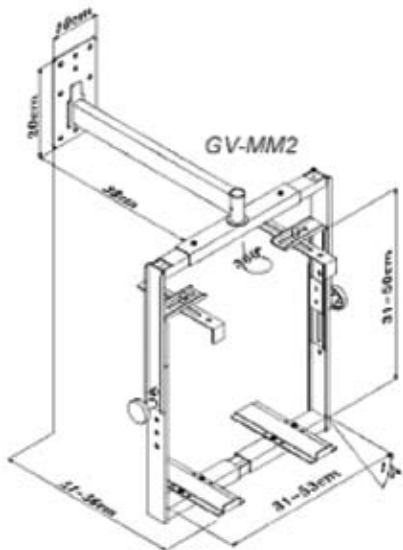
## GV-MM2

12" to 21" Wall Monitor Mount



### Features

- Wall Mount
- 12-21" Monitors
- Wall Mount for 9-12" Monitors
- Metal
- Painted in black
- Load capacity: 110lbs (50kg)



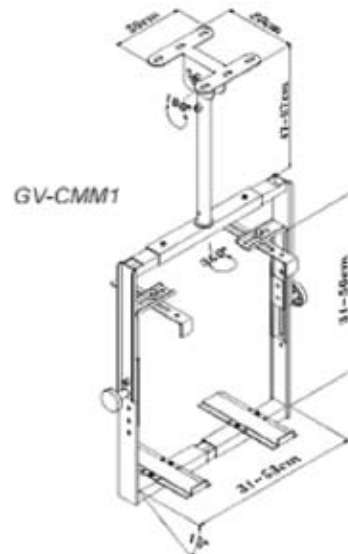
## GV-CMM1

12" to 21" Ceiling Monitor Mount



### Features

- Ceiling Mount
- 12-21" Monitors
- Wall Mount for 9-12" Monitors
- Metal
- Painted in black
- Load capacity: 110 lbs (50kg)



GVI MONITOR MOUNTS